

APPENDIX C

FAA Airspace Protection Guidance

Part 77 — Objects Affecting Navigable Airspace

Subpart A General

- 77.1 Scope.
- 77.2 Definition of terms.
- 77.3 Standards.
- 77.5 Kinds of objects affected.

Subpart B Notice of Construction or Alteration

- 77.11 Scope.
- 77.13 Construction or alteration requiring notice.
- 77.15 Construction or alteration not requiring notice.
- 77.17 Form and time of notice.
- 77.19 Acknowledgment of notice.

Subpart C Obstruction Standards

- 77.21 Scope.
- 77.23 Standards for determining obstructions.
- 77.25 Civil airport imaginary surfaces.
- 77.27 [Reserved]
- 77.28 Military airport imaginary surfaces.
- 77.29 Airport imaginary surfaces for heliports.

Subpart D Aeronautical Studies of Effect of Proposed Construction on Navigable Airspace

- 77.31 Scope.
- 77.33 Initiation of studies.
- 77.35 Aeronautical studies.
- 77.37 Discretionary review.
- 77.39 Effective period of determination of no hazard.

Subpart E Rules of Practice for Hearings under Subpart D

- 77.41 Scope.
- 77.43 Nature of hearing.
- 77.45 Presiding officer.
- 77.47 Legal officer.
- 77.49 Notice of hearing.
- 77.51 Parties to the hearing.
- 77.53 Prehearing conference.
- 77.55 Examination of witnesses.
- 77.57 Evidence.
- 77.59 Subpoenas of witnesses and exhibits.
- 77.61 Revision of construction or alteration proposal.
- 77.63 Record of hearing.
- 77.65 Recommendations by parties.
- 77.67 Final decision of the Administrator.
- 77.69 Limitations on appearance and representation.

Subpart F Establishment of Antenna Farm Areas

- 77.71 Scope.
- 77.73 General provisions.
- 77.75 Establishment of antenna farm areas.

Authority: 49 U.S.C. 106(g), 40103, 40113-40114, 44502, 44701, 44718, 46101-46102, 46104.
Source: Docket No. 1882, 30 FR 1839, Feb. 10, 1965, unless otherwise noted.

Subpart A — General

Sec. 77.1 Scope.

This part:

- (a) Establishes standards for determining obstructions in navigable airspace;
 - (b) Sets forth the requirements for notice to the Administrator of certain proposed construction or alteration;
 - (c) Provides for aeronautical studies of obstructions to air navigation, to determine their effect on the safe and efficient use of airspace;
 - (d) Provides for public hearings on the hazardous effect of proposed construction or alteration on air navigation; and
 - (e) Provides for establishing antenna farm areas.
-

Sec. 77.2 Definition of Terms.

For the purpose of this part:

“Airport available for public use” means an airport that is open to the general public with or without a prior request to use the airport.

“A seaplane base” is considered to be an airport only if its sea lanes are outlined by visual markers.

“Nonprecision instrument runway” means a runway having an existing instrument approach procedure utilizing air navigation facilities with only horizontal guidance, or area type navigation equipment, for which a straight- in nonprecision instrument approach procedure has been approved, or planned, and for which no precision approach facilities are planned, or indicated on an FAA planning document or military service military airport planning document.

“Precision instrument runway” means a runway having an existing instrument approach procedure utilizing an Instrument Landing System (ILS), or a Precision Approach Radar (PAR). It also means a runway for which a precision approach system is planned and is so indicated by an FAA approved airport layout plan; a military service approved military airport layout plan; any other FAA planning document, or military service military airport planning document.

“Utility runway” means a runway that is constructed for and intended to be used by propeller driven aircraft of 12,500 pounds maximum gross weight and less.

“Visual runway” means a runway intended solely for the operation of aircraft using visual approach procedures, with no straight-in instrument approach procedure and no instrument designation indicated on an FAA approved airport layout plan, a military service approved military airport layout plan, or by any planning document submitted to the FAA by competent authority.

[Amdt. 77-5, 33 FR 5256, Apr. 2, 1968, as amended by Amdt. 77-9, 36 FR 5969, Apr. 1, 1971]

Sec. 77.3 Standards.

- (a) The standards established in this part for determining obstructions to air navigation are used by the Administrator in:
 - (1) Administering the Federal-aid Airport Program and the Surplus Airport Program;
 - (2) Transferring property of the United States under section 16 of the Federal Airport Act;
 - (3) Developing technical standards and guidance in the design and construction of airports; and
 - (4) Imposing requirements for public notice of the construction or alteration of any structure where notice will promote air safety.
- (b) The standards used by the Administrator in the establishment of flight procedures and aircraft operational limitations are not set forth in this part but are contained in other publications of the Administrator.

[Doc. No. 1882, 30 FR 1839, Feb. 10, 1965, as amended by Amdt. 77-9, 36 FR 5970, Apr. 1, 1971]

Sec. 77.5 Kinds of Objects Affected.

This part applies to:

- (a) Any object of natural growth, terrain, or permanent or temporary construction or alteration, including equipment or materials used therein, and apparatus of a permanent or temporary character; and
- (b) Alteration of any permanent or temporary existing structure by a change in its height (including appurtenances), or lateral dimensions, including equipment or materials used therein.

Subpart B — Notice of Construction or Alteration

Sec. 77.11 Scope.

- (a) This subpart requires each person proposing any kind of construction or alteration described in Sec. 77.13(a) to give adequate notice to the Administrator. It specifies the locations and dimensions of the construction or alteration for which notice is required and prescribes the form and manner of the notice. It also requires supplemental notices 48 hours before the start and upon the completion of certain construction or alteration that was the subject of a notice under Sec. 77.13(a).
- (b) Notices received under this subpart provide a basis for:
 - (1) Evaluating the effect of the construction or alteration on operational procedures and proposed operational procedures;
 - (2) Determinations of the possible hazardous effect of the proposed construction or alteration on air navigation;
 - (3) Recommendations for identifying the construction or alteration in accordance with the current Federal Aviation Administration Advisory Circular AC 70/7460-1 entitled "Obstruction Marking and Lighting," which is available without charge from the Department of Transportation, Distribution Unit, TAD 484.3, Washington, D.C. 20590.
 - (4) Determining other appropriate measures to be applied for continued safety of air navigation; and
 - (5) Charting and other notification to airmen of the construction or alteration.

(Sec. 6, 80 Stat. 937, 49 U.S.C. 1655
[Doc. No. 1882, 30 FR 1839, Feb. 10, 1965, as amended by Amdt. 77-8, 33 FR 18614, Dec. 17, 1968;
Amdt. 77-10, 37 FR 4705, Mar. 4, 1972]

Sec. 77.13 Construction or Alteration Requiring Notice.

- (a) Except as provided in Sec. 77.15, each sponsor who proposes any of the following construction or alteration shall notify the Administrator in the form and manner prescribed in Sec. 77.17:
 - (1) Any construction or alteration of more than 200 feet in height above the ground level at its site.
 - (2) Any construction or alteration of greater height than an imaginary surface extending outward and upward at one of the following slopes:
 - (i) 100 to 1 for a horizontal distance of 20,000 feet from the nearest point of the nearest runway of each airport specified in paragraph (a)(5) of this section with at least one runway more than 3,200 feet in actual length, excluding heliports.

- (ii) 50 to 1 for a horizontal distance of 10,000 feet from the nearest point of the nearest runway of each airport specified in paragraph (a)(5) of this section with its longest runway no more than 3,200 feet in actual length, excluding heliports.
 - (iii) 25 to 1 for a horizontal distance of 5,000 feet from the nearest point of the nearest landing and takeoff area of each heliport specified in paragraph (a)(5) of this section.
- (3) Any highway, railroad, or other traverse way for mobile objects, of a height which, if adjusted upward 17 feet for an Interstate Highway that is part of the National System of Military and Interstate Highways where overcrossings are designed for a minimum of 17 feet vertical distance, 15 feet for any other public roadway, 10 feet or the height of the highest mobile object that would normally traverse the road, whichever is greater, for a private road, 23 feet for a railroad, and for a waterway or any other traverse way not previously mentioned, an amount equal to the height of the highest mobile object that would normally traverse it, would exceed a standard of paragraph (a) (1) or (2) of this section.
- (4) When requested by the FAA, any construction or alteration that would be in an instrument approach area (defined in the FAA standards governing instrument approach procedures) and available information indicates it might exceed a standard of Subpart C of this part.
- (5) Any construction or alteration on any of the following airports (including heliports):
 - (i) An airport that is available for public use and is listed in the Airport Directory of the current Airman's Information Manual or in either the Alaska or Pacific Airman's Guide and Chart Supplement.
 - (ii) An airport under construction, that is the subject of a notice or proposal on file with the Federal Aviation Administration, and, except for military airports, it is clearly indicated that that airport will be available for public use.
 - (iii) An airport that is operated by an armed force of the United States.
- (b) Each sponsor who proposes construction or alteration that is the subject of a notice under paragraph (a) of this section and is advised by an FAA regional office that a supplemental notice is required shall submit that notice on a prescribed form to be received by the FAA regional office at least 48 hours before the start of the construction or alteration.
- (c) Each sponsor who undertakes construction or alteration that is the subject of a notice under paragraph (a) of this section shall, within 5 days after that construction or alteration reaches its greatest height, submit a supplemental notice on a prescribed form to the FAA regional office having jurisdiction over the region involved, if—
 - (1) The construction or alteration is more than 200 feet above the surface level of its site; or
 - (2) An FAA regional office advises him that submission of the form is required.

[Amdt. 77-5, 33 FR 5256, Apr. 2, 1968, as amended by Amdt. 77-9, 36 FR 5970, Apr. 1, 1971; Amdt. 77-10, 37 FR 4705, Mar. 4, 1972]

Sec. 77.15 Construction or Alteration Not Requiring Notice.

No person is required to notify the Administrator for any of the following construction or alteration:

- (a) Any object that would be shielded by existing structures of a permanent and substantial character or by natural terrain or topographic features of equal or greater height, and would be located in the congested area of a city, town, or settlement where it is evident beyond all reasonable doubt that the structure so shielded will not adversely affect safety in air navigation.
- (b) Any antenna structure of 20 feet or less in height except one that would increase the height of another antenna structure.
- (c) Any air navigation facility, airport visual approach or landing aid, aircraft arresting device, or meteorological device, of a type approved by the Administrator, or an appropriate military service on military airports, the location and height of which is fixed by its functional purpose.
- (d) Any construction or alteration for which notice is required by any other FAA regulation.

[Doc. No. 1882, 30 FR 1839, Feb. 10, 1965, as amended by Amdt. 77-5, 33 FR 5257, Apr. 2, 1968; Amdt. 77-9, 36 FR 5970, Apr. 1, 1971]

Sec. 77.17 Form and Time of Notice.

- (a) Each person who is required to notify the Administrator under Sec. 77.13(a) shall send one executed form set (four copies) of FAA Form 7460-1, Notice of Proposed Construction or Alteration, to the Manager, Air Traffic Division, FAA Regional Office having jurisdiction over the area within which the construction or alteration will be located. Copies of FAA Form 7460-1 may be obtained from the headquarters of the Federal Aviation Administration and the regional offices.
- (b) The notice required under Sec. 77.13(a) (1) through (4) must be submitted at least 30 days before the earlier of the following dates:
 - (1) The date the proposed construction or alteration is to begin.
 - (2) The date an application for a construction permit is to be filed. However, a notice relating to proposed construction or alteration that is subject to the licensing requirements of the Federal Communications Act may be sent to FAA at the same time the application for construction is filed with the Federal Communications Commission, or at any time before that filing.
- (c) A proposed structure or an alteration to an existing structure that exceeds 2,000 feet in height above the ground will be presumed to be a hazard to air navigation and to result in an inefficient utilization of airspace and the applicant has the burden of overcoming that presumption. Each notice submitted under the pertinent provisions of this Part 77 proposing a structure in excess of 2,000 feet above ground, or an alteration that will make an existing structure exceed that height, must contain a detailed showing, directed to meeting this

burden. Only in exceptional cases, where the FAA concludes that a clear and compelling showing has been made that it would not result in an inefficient utilization of the airspace and would not result in a hazard to air navigation, will a determination of no hazard be issued.

- (d) In the case of an emergency involving essential public services, public health, or public safety that requires immediate construction or alteration, the 30-day requirement in paragraph (b) of this section does not apply and the notice may be sent by telephone, telegraph, or other expeditious means, with an executed FAA Form 7460-1 submitted within 5 days thereafter. Outside normal business hours, emergency notices by telephone or telegraph may be submitted to the nearest FAA Flight Service Station.
- (e) Each person who is required to notify the Administrator by paragraph (b) or (c) of Sec. 77.13, or both, shall send an executed copy of FAA Form 117-1, Notice of Progress of Construction or Alteration, to the Manager, Air Traffic Division, FAA Regional Office having jurisdiction over the area involved.

(Sec. 6, 80 Stat. 937, 49 U.S.C. 1655

[Doc. No. 1882, 30 FR 1839, Feb. 10, 1965, as amended by Amdt. 77-2, 31 FR 9449, July 12, 1966; Amdt. 77-8, 33 FR 18614, Dec. 17, 1968; Amdt. 77-10, 37 FR 4705, Mar. 4, 1972; Amdt. 77-11, 54 FR 39292, Sept. 25, 1989]

Sec. 77.19 Acknowledgment of Notice.

- (a) The FAA acknowledges in writing the receipt of each notice submitted under Sec. 77.13(a).
- (b) If the construction or alteration proposed in a notice is one for which lighting or marking standards are prescribed in the FAA Advisory Circular AC 70/7460-1, entitled "Obstruction Marking and Lighting," the acknowledgment contains a statement to that effect and information on how the structure should be marked and lighted in accordance with the manual.
- (c) The acknowledgment states that an aeronautical study of the proposed construction or alteration has resulted in a determination that the construction or alteration:
 - (1) Would not exceed any standard of Subpart C and would not be a hazard to air navigation;
 - (2) Would exceed a standard of Subpart C but would not be a hazard to air navigation; or
 - (3) Would exceed a standard of Subpart C and further aeronautical study is necessary to determine whether it would be a hazard to air navigation, that the sponsor may request within 30 days that further study, and that, pending completion of any further study, it is presumed the construction or alteration would be a hazard to air navigation.

[Doc. No. 1882, 30 FR 1839, Feb. 10, 1965, as amended by Amdt. 77-4, 32 FR 12997, Sept. 13, 1967; Amdt. 77-5, 33 FR 5257, Apr. 2, 1968

Subpart C — Obstruction Standards

Sec. 77.21 Scope.

- (a) This subpart establishes standards for determining obstructions to air navigation. It applies to existing and proposed manmade objects, objects of natural growth, and terrain. The standards apply to the use of navigable airspace by aircraft and to existing air navigation facilities, such as an air navigation aid, airport, Federal airway, instrument approach or departure procedure, or approved off-airway route. Additionally, they apply to a planned facility or use, or a change in an existing facility or use, if a proposal therefore is on file with the Federal Aviation Administration or an appropriate military service on the date the notice required by Sec. 77.13(a) is filed.
- (b) At those airports having defined runways with specially prepared hard surfaces, the primary surface for each such runway extends 200 feet beyond each end of the runway. At those airports having defined strips or pathways that are used regularly for the taking off and landing of aircraft and have been designated by appropriate authority as runways, but do not have specially prepared hard surfaces, each end of the primary surface for each such runway shall coincide with the corresponding end of the runway. At those airports, excluding seaplane bases, having a defined landing and takeoff area with no defined pathways for the landing and taking off of aircraft, a determination shall be made as to which portions of the landing and takeoff area are regularly used as landing and takeoff pathways. Those pathways so determined shall be considered runways and an appropriate primary surface as defined in Sec. 77.25(c) will be considered as being longitudinally centered on each runway so determined, and each end of that primary surface shall coincide with the corresponding end of that runway.
- (c) The standards in this subpart apply to the effect of construction or alteration proposals upon an airport if, at the time of filing of the notice required by Sec. 77.13(a), that airport is—
 - (1) Available for public use and is listed in the Airport Directory of the current Airman's Information Manual or in either the Alaska or Pacific Airman's Guide and Chart Supplement; or
 - (2) A planned or proposed airport or an airport under construction, that is the subject of a notice or proposal on file with the Federal Aviation Administration, and, except for military airports, it is clearly indicated that that airport will be available for public use; or,
 - (3) An airport that is operated by an armed force of the United States.

[Doc. No. 1882, 30 FR 1839, Feb. 10, 1965, as amended by Amdt. 77-5, 33 FR 5257, Apr. 2, 1968; Amdt. 77-9, 36 FR 5970, Apr. 1, 1971]

Sec. 77.23 Standards for Determining Obstructions.

- (a) An existing object, including a mobile object, is, and a future object would be an obstruction to air navigation if it is of greater height than any of the following heights or surfaces:
- (1) A height of 500 feet above ground level at the site of the object.
 - (2) A height that is 200 feet above ground level or above the established airport elevation, whichever is higher, within 3 nautical miles of the established reference point of an airport, excluding heliports, with its longest runway more than 3,200 feet in actual length, and that height increases in the proportion of 100 feet for each additional nautical mile of distance from the airport up to a maximum of 500 feet.
 - (3) A height within a terminal obstacle clearance area, including an initial approach segment, a departure area, and a circling approach area, which would result in the vertical distance between any point on the object and an established minimum instrument flight altitude within that area or segment to be less than the required obstacle clearance.
 - (4) A height within an en route obstacle clearance area, including turn and termination areas, of a Federal airway or approved off-airway route, that would increase the minimum obstacle clearance altitude.
 - (5) The surface of a takeoff and landing area of an airport or any imaginary surface established under Sec. 77.25, Sec. 77.28, or Sec. 77.29. However, no part of the take-off or landing area itself will be considered an obstruction.
- (b) Except for traverse ways on or near an airport with an operative ground traffic control service, furnished by an air traffic control tower or by the airport management and coordinated with the air traffic control service, the standards of paragraph (a) of this section apply to traverse ways used or to be used for the passage of mobile objects only after the heights of these traverse ways are increased by:
- (1) Seventeen feet for an Interstate Highway that is part of the National System of Military and Interstate Highways where overcrossings are designed for a minimum of 17 feet vertical distance.
 - (2) Fifteen feet for any other public roadway.
 - (3) Ten feet or the height of the highest mobile object that would normally traverse the road, whichever is greater, for a private road.
 - (4) Twenty-three feet for a railroad, and,
 - (5) For a waterway or any other traverse way not previously mentioned, an amount equal to the height of the highest mobile object that would normally traverse it.

Sec. 77.25 Civil Airport Imaginary Surfaces.

The following civil airport imaginary surfaces are established with relation to the airport and to each runway. The size of each such imaginary surface is based on the category of each runway according to the type of approach available or planned for that runway. The slope and dimensions of the approach surface applied to each end of a runway are determined by the most precise approach existing or planned for that runway end.

- (a) Horizontal surface. A horizontal plane 150 feet above the established airport elevation, the perimeter of which is constructed by swinging arcs of specified radii from the center of each end of the primary surface of each runway of each airport and connecting the adjacent arcs by lines tangent to those arcs. The radius of each arc is:
 - (1) 5,000 feet for all runways designated as utility or visual;
 - (2) 10,000 feet for all other runways. The radius of the arc specified for each end of a runway will have the same arithmetical value. That value will be the highest determined for either end of the runway. When a 5,000-foot arc is encompassed by tangents connecting two adjacent 10,000-foot arcs, the 5,000-foot arc shall be disregarded on the construction of the perimeter of the horizontal surface.
- (b) Conical surface. A surface extending outward and upward from the periphery of the horizontal surface at a slope of 20 to 1 for a horizontal distance of 4,000 feet.
- (c) Primary surface. A surface longitudinally centered on a runway. When the runway has a specially prepared hard surface, the primary surface extends 200 feet beyond each end of that runway; but when the runway has no specially prepared hard surface, or planned hard surface, the primary surface ends at each end of that runway. The elevation of any point on the primary surface is the same as the elevation of the nearest point on the runway centerline. The width of a primary surface is:
 - (1) 250 feet for utility runways having only visual approaches.
 - (2) 500 feet for utility runways having nonprecision instrument approaches.
 - (3) For other than utility runways the width is:
 - (i) 500 feet for visual runways having only visual approaches.
 - (ii) 500 feet for nonprecision instrument runways having visibility minimums greater than three-fourths statute mile.
 - (iii) 1,000 feet for a nonprecision instrument runway having a nonprecision instrument approach with visibility minimums as low as three-fourths of a statute mile, and for precision instrument runways. The width of the primary surface of a runway will be that width prescribed in this section for the most precise approach existing or planned for either end of that runway.
- (d) Approach surface. A surface longitudinally centered on the extended runway centerline and extending outward and upward from each end of the primary surface. An approach surface is applied to each end of each runway based upon the type of approach available or planned for that runway end.

- (1) The inner edge of the approach surface is the same width as the primary surface and it expands uniformly to a width of:
 - (i) 1,250 feet for that end of a utility runway with only visual approaches;
 - (ii) 1,500 feet for that end of a runway other than a utility runway with only visual approaches;
 - (iii) 2,000 feet for that end of a utility runway with a nonprecision instrument approach;
 - (iv) 3,500 feet for that end of a nonprecision instrument runway other than utility, having visibility minimums greater than three-fourths of a statute mile;
 - (v) 4,000 feet for that end of a nonprecision instrument runway, other than utility, having a nonprecision instrument approach with visibility minimums as low as three-fourths statute mile; and
 - (vi) 16,000 feet for precision instrument runways.
 - (2) The approach surface extends for a horizontal distance of:
 - (i) 5,000 feet at a slope of 20 to 1 for all utility and visual runways;
 - (ii) 10,000 feet at a slope of 34 to 1 for all nonprecision instrument runways other than utility; and,
 - (iii) 10,000 feet at a slope of 50 to 1 with an additional 40,000 feet at a slope of 40 to 1 for all precision instrument runways.
 - (3) The outer width of an approach surface to an end of a runway will be that width prescribed in this subsection for the most precise approach existing or planned for that runway end.
- (e) Transitional surface. These surfaces extend outward and upward at right angles to the runway centerline and the runway centerline extended at a slope of 7 to 1 from the sides of the primary surface and from the sides of the approach surfaces. Transitional surfaces for those portions of the precision approach surface which project through and beyond the limits of the conical surface, extend a distance of 5,000 feet measured horizontally from the edge of the approach surface and at right angles to the runway centerline.

[Amdt. 77-9, 36 FR 5970, Apr. 1, 1971; 36 FR 6741, Apr. 8, 1971]

Sec. 77.27 [Reserved]

Sec. 77.28 Military airport imaginary surfaces.

- (a) Related to airport reference points. These surfaces apply to all military airports. For the purposes of this section a military airport is any airport operated by an armed force of the United States.
- (1) Inner horizontal surface. A plane is oval in shape at a height of 150 feet above the established airfield elevation. The plane is constructed by scribing an arc with a radius of 7,500 feet about the centerline at the end of each runway and interconnecting these arcs with tangents.
 - (2) Conical surface. A surface extending from the periphery of the inner horizontal surface outward and upward at a slope of 20 to 1 for a horizontal distance of 7,000 feet to a height of 500 feet above the established airfield elevation.
 - (3) Outer horizontal surface. A plane, located 500 feet above the established airfield elevation, extending outward from the outer periphery of the conical surface for a horizontal distance of 30,000 feet.
- (b) Related to runways. These surfaces apply to all military airports.
- (1) Primary surface. A surface located on the ground or water longitudinally centered on each runway with the same length as the runway. The width of the primary surface for runways is 2,000 feet. However, at established bases where substantial construction has taken place in accordance with a previous lateral clearance criteria, the 2,000-foot width may be reduced to the former criteria.
 - (2) Clear zone surface. A surface located on the ground or water at each end of the primary surface, with a length of 1,000 feet and the same width as the primary surface.
 - (3) Approach clearance surface. An inclined plane, symmetrical about the runway centerline extended, beginning 200 feet beyond each end of the primary surface at the centerline elevation of the runway end and extending for 50,000 feet. The slope of the approach clearance surface is 50 to 1 along the runway centerline extended until it reaches an elevation of 500 feet above the established airport elevation. It then continues horizontally at this elevation to a point 50,000 feet from the point of beginning. The width of this surface at the runway end is the same as the primary surface, it flares uniformly, and the width at 50,000 is 16,000 feet.
 - (4) Transitional surfaces. These surfaces connect the primary surfaces, the first 200 feet of the clear zone surfaces, and the approach clearance surfaces to the inner horizontal surface, conical surface, outer horizontal surface or other transitional surfaces. The slope of the transitional surface is 7 to 1 outward and upward at right angles to the runway centerline.

[Doc. No. 1882, 30 FR 1839, Feb. 10, 1965, as amended by Amdt. 77-1, 30 FR 6713, May 18, 1965; Amdt. 77-9, 36 FR 5971, Apr. 1, 1971]

Sec. 77.29 Airport Imaginary Surfaces for Heliports.

- (a) Heliport primary surface. The area of the primary surface coincides in size and shape with the designated take-off and landing area of a heliport. This surface is a horizontal plane at the elevation of the established heliport elevation.
- (b) Heliport approach surface. The approach surface begins at each end of the heliport primary surface with the same width as the primary surface, and extends outward and upward for a horizontal distance of 4,000 feet where its width is 500 feet. The slope of the approach surface is 8 to 1 for civil heliports and 10 to 1 for military heliports.
- (c) Heliport transitional surfaces. These surfaces extend outward and upward from the lateral boundaries of the heliport primary surface and from the approach surfaces at a slope of 2 to 1 for a distance of 250 feet measured horizontally from the centerline of the primary and approach surfaces.

[Doc. No. 1882, 30 FR 1839, Feb. 10, 1965, as amended by Amdt. 77-9, 36 FR 5971, Apr. 1, 1971; 36 FR 6741, Apr. 8, 1971]

Subpart D — Aeronautical Studies of Effect of Proposed Construction on Navigable Airspace

Sec. 77.31 Scope.

- (a) This subpart applies to the conduct of aeronautical studies of the effect of proposed construction or alteration on the use of air navigation facilities or navigable airspace by aircraft. In the aeronautical studies, present and future IFR and VFR aeronautical operations and procedures are reviewed and any possible changes in those operations and procedures and in the construction proposal that would eliminate or alleviate the conflicting demands are ascertained.
- (b) The conclusion of a study made under this subpart is normally a determination as to whether the specific proposal studied would be a hazard to air navigation.

[Doc. No. 1882, 30 FR 1839, Feb. 10, 1965, as amended by Amdt. 77-6, 33 FR 10843, July 31, 1968]

Sec. 77.33 Initiation of Studies.

- (a) An aeronautical study is conducted by the FAA:
 - (1) Upon the request of the sponsor or any construction or alteration for which a notice is submitted under Subpart B of this part, unless that construction or alteration would be located within an antenna farm area established under Subpart F of this part; or
 - (2) Whenever the FAA determines it appropriate.

[Doc. No. 1882, 30 FR 1839, Feb. 10, 1965, as amended by Amdt. 77-4, 32 FR 12997, Sept. 13, 1967]

Sec. 77.35 Aeronautical Studies.

- (a) The Regional Manager, Air Traffic Division of the region in which the proposed construction or alteration would be located, or his designee, conducts the aeronautical study of the effect of the proposal upon the operation of air navigation facilities and the safe and efficient utilization of the navigable airspace. This study may include the physical and electromagnetic radiation effect the proposal may have on the operation of an air navigation facility.
- (b) To the extent considered necessary, the Regional Manager, Air Traffic Division or his designee:
 - (1) Solicits comments from all interested persons;
 - (2) Explores objections to the proposal and attempts to develop recommendations for adjustment of aviation requirements that would accommodate the proposed construction or alteration;

- (3) Examines possible revisions of the proposal that would eliminate the exceeding of the standards in Subpart C of this part; and
 - (4) Convenes a meeting with all interested persons for the purpose of gathering all facts relevant to the effect of the proposed construction or alteration on the safe and efficient utilization of the navigable airspace.
- (c) The Regional Manager, Air Traffic Division or his designee issues a determination as to whether the proposed construction or alteration would be a hazard to air navigation and sends copies to all known interested persons. This determination is final unless a petition for review is granted under Sec. 77.37.
- (d) If the sponsor revises his proposal to eliminate exceeding of the standards of Subpart C of this part, or withdraws it, the Regional Manager, Air Traffic Division, or his designee, terminates the study and notifies all known interested persons.

[Doc. No. 1882, 30 FR 1839, Feb. 10, 1965, as amended by Amdt. 77-6, 33 FR 10843, July 31, 1968; Amdt. 77-11, 54 FR 39292, Sept. 25, 1989]

Sec. 77.37 Discretionary Review.

- (a) The sponsor of any proposed construction or alteration or any person who stated a substantial aeronautical objection to it in an aeronautical study, or any person who has a substantial aeronautical objection to it but was not given an opportunity to state it, may petition the Administrator, within 30 days after issuance of the determination under Sec. 77.19 or Sec. 77.35 or revision or extension of the determination under Sec. 77.39(c), for a review of the determination, revision, or extension. This paragraph does not apply to any acknowledgment issued under Sec. 77.19(c)(1).
- (b) The petition must be in triplicate and contain a full statement of the basis upon which it is made.
- (c) The Administrator examines each petition and decides whether a review will be made and, if so, whether it will be:
- (1) A review on the basis of written materials, including study of a report by the Regional Manager, Air Traffic Division of the aeronautical study, briefs, and related submissions by any interested party, and other relevant facts, with the Administrator affirming, revising, or reversing the determination issued under Sec. 77.19, Sec. 77.35 or Sec. 77.39(c); or
 - (2) A review on the basis of a public hearing, conducted in accordance with the procedures prescribed in Subpart E of this part.

[Doc. No. 1882, 30 FR 1839, Feb. 10, 1965, as amended by Amdt. 77-3, 32 FR 6970, May 6, 1967; Amdt. 77-11, 54 FR 39292, Sept. 25, 1989]

Sec. 77.39 Effective Period of Determination of No Hazard.

- (a) Unless it is otherwise extended, revised, or terminated, each final determination of no hazard made under this subpart or Subpart B or E of this part expires 18 months after its effective date, regardless of whether the proposed construction or alteration has been started, or on the date the proposed construction or alteration is abandoned, whichever is earlier.
- (b) In any case, including a determination to which paragraph (d) of this section applies, where the proposed construction or alteration has not been started during the applicable period by actual structural work, such as the laying of a foundation, but not including excavation, any interested person may, at least 15 days before the date the final determination expires, petition the FAA official who issued the determination to:
 - (1) Revise the determination based on new facts that change the basis on which it was made; or
 - (2) Extend its effective period.
- (c) The FAA official who issued the determination reviews each petition presented under paragraph (b) of this section, and revises, extends, or affirms the determination as indicated by his findings.
- (d) In any case in which a final determination made under this subpart or Subpart B or E of this part relates to proposed construction or alteration that may not be started unless the Federal Communications Commission issues an appropriate construction permit, the effective period of each final determination includes—
 - (1) The time required to apply to the Commission for a construction permit, but not more than 6 months after the effective date of the determination; and
 - (2) The time necessary for the Commission to process the application except in a case where the Administrator determines a shorter effective period is required by the circumstances.
- (e) If the Commission issues a construction permit, the final determination is effective until the date prescribed for completion of the construction. If the Commission refuses to issue a construction permit, the final determination expires on the date of its refusal.

[Doc. No. 1882, 30 FR 1839, Feb. 10, 1965, as amended by Amdt. 77-5, 33 FR 5257, Apr. 2, 1968]

Subpart E — Rules of Practice for Hearings Under Subpart D

Sec. 77.41 Scope.

This subpart applies to hearings held by the FAA under Titles I, III, and X of the Federal Aviation Act of 1958 (49 U.S.C. Subchapters I, III, and X), on proposed construction or alteration that affects the use of navigable airspace.

Sec. 77.43 Nature of Hearing.

Sections 4, 5, 7, and 8 of the Administrative Procedure Act (5 U.S.C. 1003, 1004, 1006, and 1007) do not apply to hearings held on proposed construction or alteration to determine its effect on the safety of aircraft and the efficient use of navigable airspace because those hearings are fact-finding in nature. As a fact-finding procedure, each hearing is nonadversary and there are no formal pleadings or adverse parties.

Sec. 77.45 Presiding Officer.

- (a) If, under Sec. 79.37, the Administrator grants a public hearing on any proposed construction or alteration covered by this part, the Director, Air Traffic Operations Service designates an FAA employee to be the presiding officer at the hearing.
- (b) The presiding officer may:
 - (1) Give notice of the date and location of the hearing and any prehearing conference that may be held;
 - (2) Administer oaths and affirmations;
 - (3) Examine witnesses;
 - (4) Issue subpoenas and take depositions or have them taken;
 - (5) Obtain, in the form of a public record, all pertinent and relevant facts relating to the subject matter of the hearing;
 - (6) Rule, with the assistance of the legal officer, upon the admissibility of evidence;
 - (7) Regulate the course and conduct of the hearing; and
 - (8) Designate parties to the hearing and revoke those designations.

Sec. 77.47 Legal Officer.

The Chief Counsel designates a member of his staff to serve as legal officer at each hearing under this subpart. The legal officer may examine witnesses and assist and advise the presiding officer on questions of evidence or other legal questions arising during the hearing.

[Doc. No. 1882, 30 FR 1839, Feb. 10, 1965, as amended at 38 FR 26444, Sept. 17, 1973]

Sec. 77.49 Notice of Hearing.

In designating a time and place for a hearing under this subpart the presiding officer considers the needs of the FAA and the convenience of the parties and witnesses. The time and place of each hearing is published in the "Notices" section of the Federal Register before the date of the hearing, unless the notice is impractical or unnecessary.

Sec. 77.51 Parties to the Hearing.

The presiding officer designates the following as parties to the hearing—

- (a) The proponent of the proposed construction or alteration.
 - (b) Those persons whose activities would be substantially affected by the proposed construction or alteration.
-

Sec. 77.53 Prehearing Conference.

- (a) The presiding officer may, in his discretion, hold a prehearing conference with the parties to the hearing and the legal officer before the hearing.
- (b) At the direction of the presiding officer, each party to a prehearing conference shall submit a brief written statement of the evidence he intends to provide through his witnesses and by questioning other witnesses at the hearing, and shall provide enough copies of the statement so that the presiding officer may keep three for the FAA and give one to each other party.
- (c) At the prehearing conference, the presiding officer reduces and simplifies the subject matter of the hearing so far as possible and advises the parties of the probable order of presenting the evidence.

Sec. 77.55 Examination of Witnesses.

- (a) Each witness at a hearing under this subpart shall, after being sworn by the presiding officer, give his testimony under oath.
 - (b) The party for whom a witness, other than an employee of the FAA, is testifying shall examine that witness. After that examination, other parties to the hearing may examine the witness, in the order fixed by the presiding officer. The presiding officer and the legal officer may then examine the witness. The presiding officer may grant any party an additional opportunity to examine any witness, if that party adequately justifies the additional examination.
 - (c) The legal officer examines each FAA employee who is a witness, before the other parties examine him. After that examination, the order prescribed in paragraph (b) of this section applies. An FAA employee may testify only as to facts within his personal knowledge and the application of FAA regulations, standards, and policies.
-

Sec. 77.57 Evidence.

- (a) The presiding officer receives all testimony and exhibits that are relevant to the issues of the hearing. So far as possible, each party shall submit enough copies of his exhibits that the presiding officer may keep three copies for the FAA and give one to each other party.
 - (b) The presiding officer excludes any testimony that is irrelevant, unduly repetitious, or consists of statements made during an aeronautical study in an effort to reconcile or compromise aviation or construction or alteration requirements. A party to the hearing may object to the admission of evidence only on the ground that it is irrelevant.
-

Sec. 77.59 Subpoenas of Witnesses and Exhibits.

- (a) The presiding officer of a hearing may issue subpoenas for any witness or exhibit that he determines may be material and relevant to the issues of the hearing. So far as possible, each party to the hearing shall provide the witnesses and exhibits that he intends to present at the hearing.
 - (b) If any party to the hearing is unable to provide his necessary witnesses and exhibits, he shall advise the presiding officer far enough in advance that the presiding officer can determine whether he should issue subpoenas for the desired witnesses or exhibits.
-

Sec. 77.61 Revision of Construction or Alteration Proposal.

- (a) The sponsor of any proposed construction or alteration covered by this part may revise his proposal at any time before or during the hearing. If he revises it, the presiding officer decides whether the revision affects the proposal to the extent that he should send it to the Administrator for a redetermination of the need for a hearing.

- (b) If the presiding officer decides that it does not need to be resubmitted to the Administrator, he advises the parties of the revised proposal and takes the action necessary to allow all parties to effectively participate in the hearing on the revised proposal. Without limiting his discretion, the presiding officer may recess and reconvene the hearing, or hold another prehearing conference.
-

Sec. 77.63 Record of Hearing.

- (a) Each hearing is recorded verbatim by an official reporter under an FAA contract. The transcript, and all exhibits, become a part of the record of the hearing.
- (b) Any person may buy a copy of the transcript of the hearing from the reporter at the price fixed for it.
- (c) The presiding officer may allow any party to withdraw an original document if he submits authenticated copies of it.
- (d) Any person may buy, from the FAA, photostatic copies of any exhibit by paying the copying costs.
- (e) A change in the official transcript of a hearing may be made only if it involves an error of substance. Any recommendation to correct the transcript must be filed with the presiding officer within 5 days after the hearing closes. The presiding officer reviews each request for a correction to the extent he considers appropriate and shall make any revisions that he finds appropriate as a result of that review.
-

Sec. 77.65 Recommendations by Parties.

Within 20 days after the mailing of the record of hearing by the official reporter, or as otherwise directed by the presiding officer, each party may submit to the presiding officer five copies of his recommendations for a final decision to be made by the Administrator.

Sec. 77.67 Final Decision of the Administrator.

After reviewing the evidence relevant to the questions of fact in a hearing, including the official transcript and the exhibits, the Administrator resolves all these questions, based on the weight of evidence, and makes his determination, stating the basis and reasons for it. He then issues an appropriate order to be served on each of the parties.

Sec. 77.69 *Limitations on Appearance and Representation.*

- (a) A former officer or employee of the FAA may not appear on behalf of, or represent, any party before the FAA in connection with any matter to which this part applies, if he considered or passed on that matter while he was an officer or employee of the FAA.
- (b) A person appearing before the FAA on any matter to which this part applies may not, in connection with that appearance, knowingly accept assistance from, or share fees with, any person who is prohibited by paragraph (a) of this section, from appearing himself on that matter.
- (c) A former official or employee of the FAA may not, within 6 months after he ceases to be such an officer or employee, appear before the FAA on behalf of, or represent, any party in connection with any proceeding that was pending under this part while he was an officer or employee of the FAA, unless he obtains written consent from an appropriate officer of the FAA, based on a verified showing that he did not personally consider the matter concerned or gain particular knowledge of it while he was an officer or employee of the FAA.

Subpart F — Establishment of Antenna Farm Areas

Sec. 77.71 Scope.

- (a) This subpart establishes antenna farm areas in which antenna structures may be grouped to localize their effect on the use of navigable airspace.
 - (b) It is the policy of the FAA to encourage the use of antenna farms and the single structure-multiple antenna concept for radio and television towers whenever possible. In considering proposals for establishing antenna farm areas, it considers as far as possible the revision of aeronautical procedures and operations to accommodate antenna structures that will fulfill broadcasting requirements.
-

Sec. 77.73 General Provisions.

- (a) An antenna farm area consists of a specified geographical location with established dimensions of area and height, where antenna towers with a common impact on aviation may be grouped. Each such area is established by appropriate rule making action.
- (b) Each proposal for an antenna farm area is evaluated on the basis of its effect on the use of navigable airspace. The views of the Federal Communications Commission are requested on the effect that each establishment of an antenna farm area would have on its statutory responsibilities. Any views submitted by it are fully considered before the antenna farm concerned is established. If the Commission advises that the establishment of any proposed antenna farm area would interfere with its statutory responsibility, the proposed area is not established.
- (c) The establishment of an antenna farm area is considered whenever it is proposed by:
 - (1) The FAA;
 - (2) The Federal Communications Commission;
 - (3) The sponsor of a proposed antenna tower; or
 - (4) Any other person having a substantial interest in a proposed antenna tower.

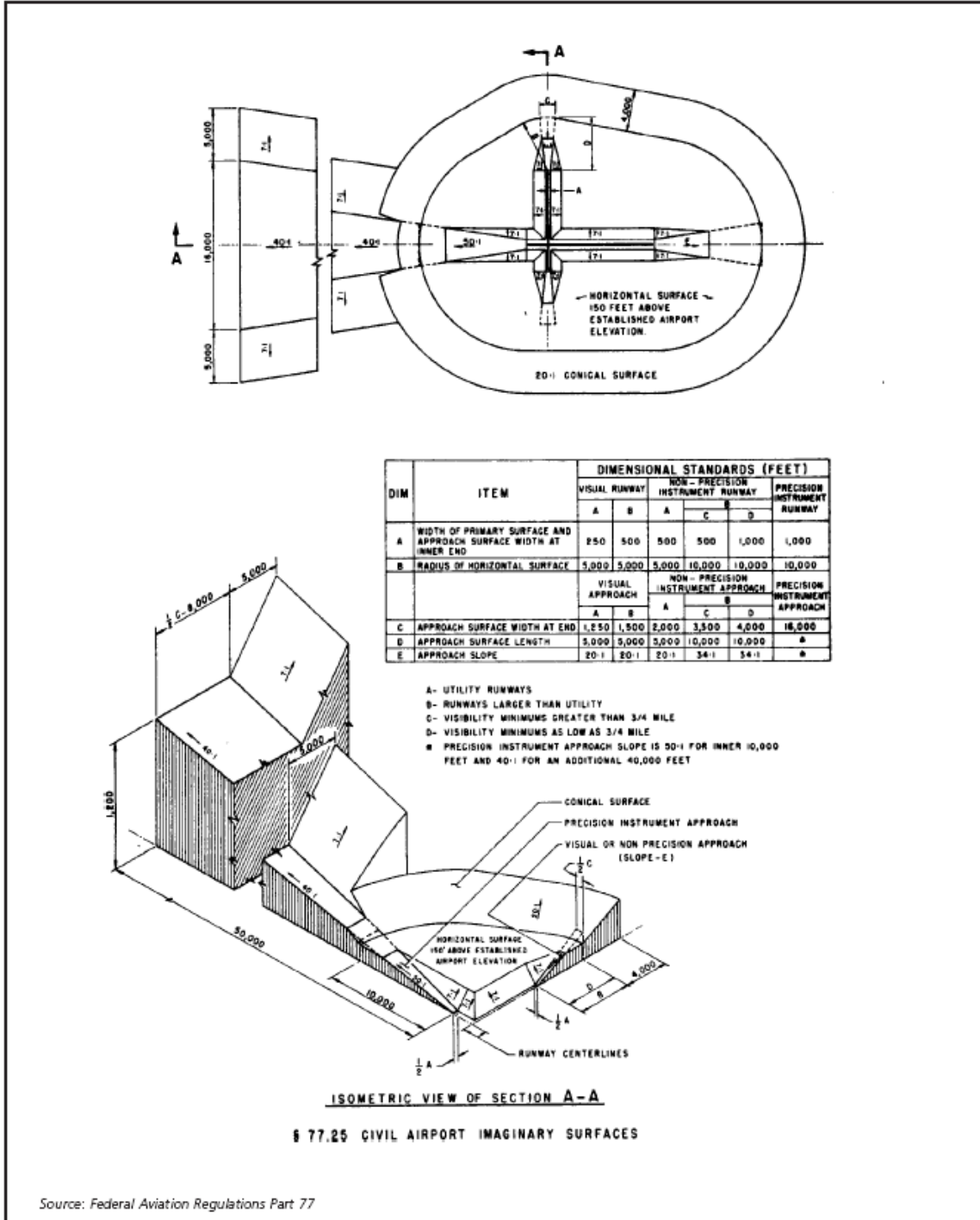
[Doc. No. 1882, 30 FR 1839, Feb. 10, 1965, as amended by Amdt. 77-10, 37 FR 4705, Mar. 4, 1972]

Sec. 77.75 Establishment of Antenna Farm Areas.

The airspace areas described in the following sections of this subpart are established as antenna farm areas.

Note: Sections 77.77 through 77.1100 reserved for descriptions of antenna farm areas.

**FIGURE C-1
FAR PART 77 IMAGINARY SURFACES**



Source: Caltrans, *California Airport Land Use Planning Handbook*, January 2002.

This page left intentionally blank.



U.S. Department
of Transportation

**Federal Aviation
Administration**

Advisory Circular

**Subject: HAZARDOUS WILDLIFE
ATTRACTANTS ON OR NEAR
AIRPORTS**

Date: 8/28/2007

AC No: 150/5200-33B

Initiated by: AAS-300

Change:

- 1. PURPOSE.** This Advisory Circular (AC) provides guidance on certain land uses that have the potential to attract hazardous wildlife on or near public-use airports. It also discusses airport development projects (including airport construction, expansion, and renovation) affecting aircraft movement near hazardous wildlife attractants. Appendix 1 provides definitions of terms used in this AC.
- 2. APPLICABILITY.** The Federal Aviation Administration (FAA) recommends that public-use airport operators implement the standards and practices contained in this AC. The holders of Airport Operating Certificates issued under Title 14, Code of Federal Regulations (CFR), Part 139, Certification of Airports, Subpart D (Part 139), may use the standards, practices, and recommendations contained in this AC to comply with the wildlife hazard management requirements of Part 139. Airports that have received Federal grant-in-aid assistance must use these standards. The FAA also recommends the guidance in this AC for land-use planners, operators of non-certificated airports, and developers of projects, facilities, and activities on or near airports.
- 3. CANCELLATION.** This AC cancels AC 150/5200-33A, *Hazardous Wildlife Attractants on or near Airports*, dated July 27, 2004.
- 4. PRINCIPAL CHANGES.** This AC contains the following major changes, which are marked with vertical bars in the margin:

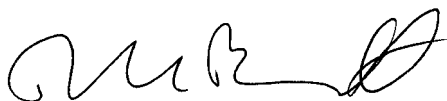
 - a. Technical changes to paragraph references.
 - b. Wording on storm water detention ponds.
 - c. Deleted paragraph 4-3.b, *Additional Coordination*.
- 5. BACKGROUND.** Information about the risks posed to aircraft by certain wildlife species has increased a great deal in recent years. Improved reporting, studies, documentation, and statistics clearly show that aircraft collisions with birds and other wildlife are a serious economic and public safety problem. While many species of wildlife can pose a threat to aircraft safety, they are not equally hazardous. Table 1

ranks the wildlife groups commonly involved in damaging strikes in the United States according to their relative hazard to aircraft. The ranking is based on the 47,212 records in the FAA National Wildlife Strike Database for the years 1990 through 2003. These hazard rankings, in conjunction with site-specific Wildlife Hazards Assessments (WHA), will help airport operators determine the relative abundance and use patterns of wildlife species and help focus hazardous wildlife management efforts on those species most likely to cause problems at an airport.

Most public-use airports have large tracts of open, undeveloped land that provide added margins of safety and noise mitigation. These areas can also present potential hazards to aviation if they encourage wildlife to enter an airport's approach or departure airspace or air operations area (AOA). Constructed or natural areas—such as poorly drained locations, detention/retention ponds, roosting habitats on buildings, landscaping, odor-causing rotting organic matter (putrescible waste) disposal operations, wastewater treatment plants, agricultural or aquaculture activities, surface mining, or wetlands—can provide wildlife with ideal locations for feeding, loafing, reproduction, and escape. Even small facilities, such as fast food restaurants, taxicab staging areas, rental car facilities, aircraft viewing areas, and public parks, can produce substantial attractions for hazardous wildlife.

During the past century, wildlife-aircraft strikes have resulted in the loss of hundreds of lives worldwide, as well as billions of dollars in aircraft damage. Hazardous wildlife attractants on and near airports can jeopardize future airport expansion, making proper community land-use planning essential. This AC provides airport operators and those parties with whom they cooperate with the guidance they need to assess and address potentially hazardous wildlife attractants when locating new facilities and implementing certain land-use practices on or near public-use airports.

6. MEMORANDUM OF AGREEMENT BETWEEN FEDERAL RESOURCE AGENCIES. The FAA, the U.S. Air Force, the U.S. Army Corps of Engineers, the U.S. Environmental Protection Agency, the U.S. Fish and Wildlife Service, and the U.S. Department of Agriculture - Wildlife Services signed a Memorandum of Agreement (MOA) in July 2003 to acknowledge their respective missions in protecting aviation from wildlife hazards. Through the MOA, the agencies established procedures necessary to coordinate their missions to address more effectively existing and future environmental conditions contributing to collisions between wildlife and aircraft (wildlife strikes) throughout the United States. These efforts are intended to minimize wildlife risks to aviation and human safety while protecting the Nation's valuable environmental resources.



DAVID L. BENNETT
Director, Office of Airport Safety
and Standards

Table 1. Ranking of 25 species groups as to relative hazard to aircraft (1=most hazardous) based on three criteria (damage, major damage, and effect-on-flight), a composite ranking based on all three rankings, and a relative hazard score. Data were derived from the FAA National Wildlife Strike Database, January 1990–April 2003.¹

Species group	Ranking by criteria			Composite ranking ²	Relative hazard score ³
	Damage ⁴	Major damage ⁵	Effect on flight ⁶		
Deer	1	1	1	1	100
Vultures	2	2	2	2	64
Geese	3	3	6	3	55
Cormorants/pelicans	4	5	3	4	54
Cranes	7	6	4	5	47
Eagles	6	9	7	6	41
Ducks	5	8	10	7	39
Osprey	8	4	8	8	39
Turkey/pheasants	9	7	11	9	33
Hérons	11	14	9	10	27
Hawks (buteos)	10	12	12	11	25
Gulls	12	11	13	12	24
Rock pigeon	13	10	14	13	23
Owls	14	13	20	14	23
H. lark/s. bunting	18	15	15	15	17
Crows/ravens	15	16	16	16	16
Coyote	16	19	5	17	14
Mourning dove	17	17	17	18	14
Shorebirds	19	21	18	19	10
Blackbirds/starling	20	22	19	20	10
American kestrel	21	18	21	21	9
Meadowlarks	22	20	22	22	7
Swallows	24	23	24	23	4
Sparrows	25	24	23	24	4
Nighthawks	23	25	25	25	1

¹ Excerpted from the *Special Report for the FAA, "Ranking the Hazard Level of Wildlife Species to Civil Aviation in the USA: Update #1, July 2, 2003"*. Refer to this report for additional explanations of criteria and method of ranking.

² Relative rank of each species group was compared with every other group for the three variables, placing the species group with the greatest hazard rank for ≥ 2 of the 3 variables above the next highest ranked group, then proceeding down the list.

³ Percentage values, from Tables 3 and 4 in Footnote 1 of the *Special Report*, for the three criteria were summed and scaled down from 100, with 100 as the score for the species group with the maximum summed values and the greatest potential hazard to aircraft.

⁴ Aircraft incurred at least some damage (destroyed, substantial, minor, or unknown) from strike.

⁵ Aircraft incurred damage or structural failure, which adversely affected the structure strength, performance, or flight characteristics, and which would normally require major repair or replacement of the affected component, or the damage sustained makes it inadvisable to restore aircraft to airworthy condition.

⁶ Aborted takeoff, engine shutdown, precautionary landing, or other.

This page intentionally left blank.

Table of Contents

SECTION 1. GENERAL SEPARATION CRITERIA FOR HAZARDOUS WILDLIFE ATTRACTANTS ON OR NEAR AIRPORTS.....	1
1-1. INTRODUCTION.....	1
1-2. AIRPORTS SERVING PISTON-POWERED AIRCRAFT	1
1-3. AIRPORTS SERVING TURBINE-POWERED AIRCRAFT.....	1
1-4. PROTECTION OF APPROACH, DEPARTURE, AND CIRCLING AIRSPACE.....	1
SECTION 2. LAND-USE PRACTICES ON OR NEAR AIRPORTS THAT POTENTIALLY ATTRACT HAZARDOUS WILDLIFE	3
2-1. GENERAL.....	3
2-2. WASTE DISPOSAL OPERATIONS.....	3
2-3. WATER MANAGEMENT FACILITIES	5
2-4. WETLANDS	8
2-5. DREDGE SPOIL CONTAINMENT AREAS	9
2-6. AGRICULTURAL ACTIVITIES.....	9
2-7. GOLF COURSES, LANDSCAPING AND OTHER LAND-USE CONSIDERATIONS	10
2-8. SYNERGISTIC EFFECTS OF SURROUNDING LAND USES	11
SECTION 3. PROCEDURES FOR WILDLIFE HAZARD MANAGEMENT BY OPERATORS OF PUBLIC-USE AIRPORTS	13
3-1. INTRODUCTION.....	13
3-2. COORDINATION WITH USDA WILDLIFE SERVICES OR OTHER QUALIFIED WILDLIFE DAMAGE MANAGEMENT BIOLOGISTS.....	13
3-3. WILDLIFE HAZARD MANAGEMENT AT AIRPORTS: A MANUAL FOR AIRPORT PERSONNEL	13
3-4. WILDLIFE HAZARD ASSESSMENTS, TITLE 14, CODE OF FEDERAL REGULATIONS, PART 139.....	13
3-5. WILDLIFE HAZARD MANAGEMENT PLAN (WHMP)	14
3-6. LOCAL COORDINATION	14
3-7. COORDINATION/NOTIFICATION OF AIRMEN OF WILDLIFE HAZARDS	14
SECTION 4. FAA NOTIFICATION AND REVIEW OF PROPOSED LAND-USE PRACTICE CHANGES IN THE VICINITY OF PUBLIC-USE AIRPORTS.....	15
4-1. FAA REVIEW OF PROPOSED LAND-USE PRACTICE CHANGES IN THE VICINITY OF PUBLIC-USE AIRPORTS.....	15
4-2. WASTE MANAGEMENT FACILITIES	15
4-3. OTHER LAND-USE PRACTICE CHANGES	16
APPENDIX 1. DEFINITIONS OF TERMS USED IN THIS ADVISORY CIRCULAR	19

This page intentionally left blank.

SECTION 1.

GENERAL SEPARATION CRITERIA FOR HAZARDOUS WILDLIFE ATTRACTANTS ON OR NEAR AIRPORTS.

1-1. INTRODUCTION. When considering proposed land uses, airport operators, local planners, and developers must take into account whether the proposed land uses, including new development projects, will increase wildlife hazards. Land-use practices that attract or sustain hazardous wildlife populations on or near airports can significantly increase the potential for wildlife strikes.

The FAA recommends the minimum separation criteria outlined below for land-use practices that attract hazardous wildlife to the vicinity of airports. Please note that FAA criteria include land uses that cause movement of hazardous wildlife onto, into, or across the airport's approach or departure airspace or air operations area (AOA). (See the discussion of the synergistic effects of surrounding land uses in Section 2-8 of this AC.)

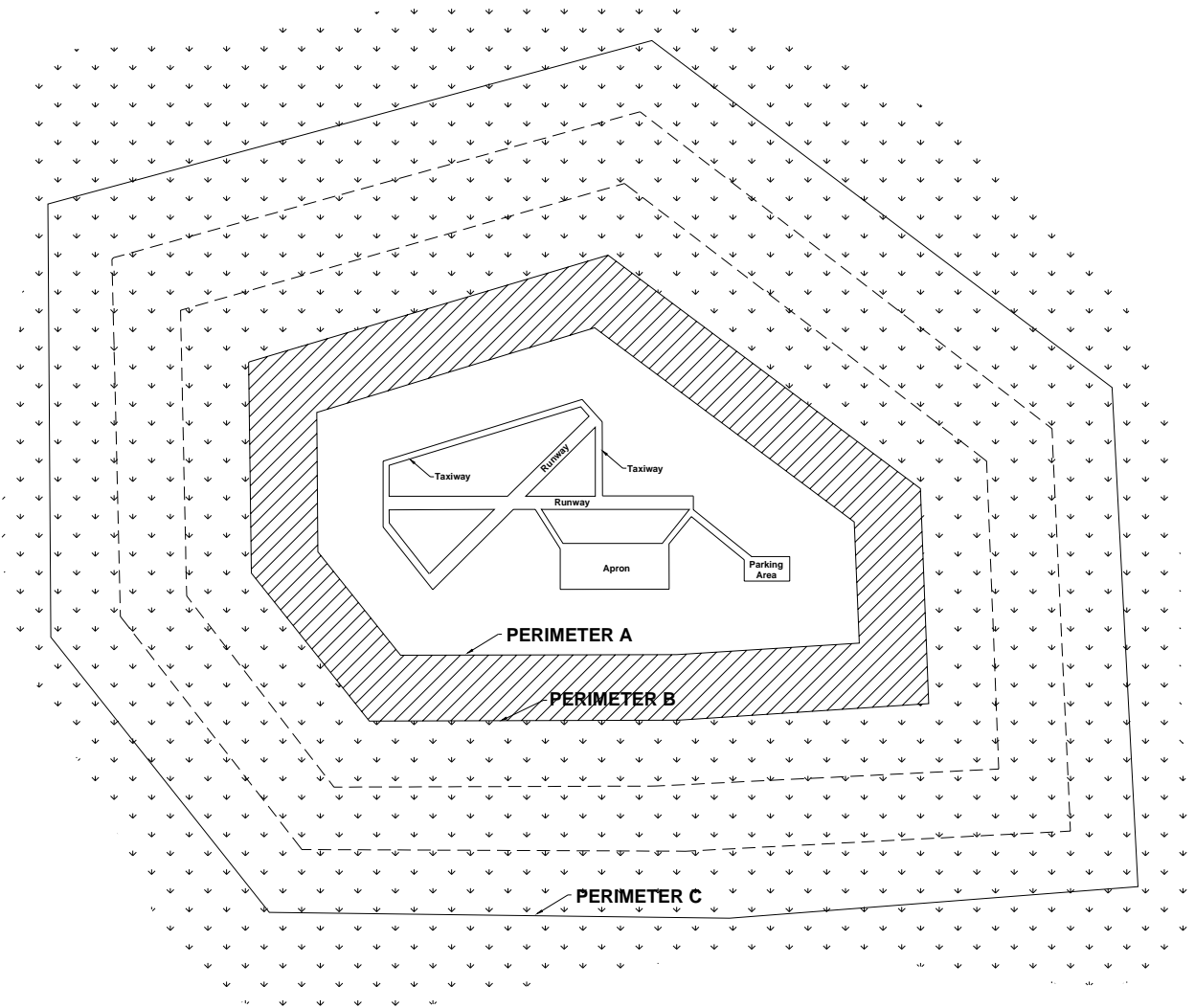
The basis for the separation criteria contained in this section can be found in existing FAA regulations. The separation distances are based on (1) flight patterns of piston-powered aircraft and turbine-powered aircraft, (2) the altitude at which most strikes happen (78 percent occur under 1,000 feet and 90 percent occur under 3,000 feet above ground level), and (3) National Transportation Safety Board (NTSB) recommendations.

1-2. AIRPORTS SERVING PISTON-POWERED AIRCRAFT. Airports that do not sell Jet-A fuel normally serve piston-powered aircraft. Notwithstanding more stringent requirements for specific land uses, the FAA recommends a separation distance of 5,000 feet at these airports for any of the hazardous wildlife attractants mentioned in Section 2 or for new airport development projects meant to accommodate aircraft movement. This distance is to be maintained between an airport's AOA and the hazardous wildlife attractant. Figure 1 depicts this separation distance measured from the nearest aircraft operations areas.

1-3. AIRPORTS SERVING TURBINE-POWERED AIRCRAFT. Airports selling Jet-A fuel normally serve turbine-powered aircraft. Notwithstanding more stringent requirements for specific land uses, the FAA recommends a separation distance of 10,000 feet at these airports for any of the hazardous wildlife attractants mentioned in Section 2 or for new airport development projects meant to accommodate aircraft movement. This distance is to be maintained between an airport's AOA and the hazardous wildlife attractant. Figure 1 depicts this separation distance from the nearest aircraft movement areas.

1-4. PROTECTION OF APPROACH, DEPARTURE, AND CIRCLING AIRSPACE. For all airports, the FAA recommends a distance of 5 statute miles between the farthest edge of the airport's AOA and the hazardous wildlife attractant if the attractant could cause hazardous wildlife movement into or across the approach or departure airspace.

Figure 1. Separation distances within which hazardous wildlife attractants should be avoided, eliminated, or mitigated.



PERIMETER A: For airports serving piston-powered aircraft, hazardous wildlife attractants must be 5,000 feet from the nearest air operations area.

PERIMETER B: For airports serving turbine-powered aircraft, hazardous wildlife attractants must be 10,000 feet from the nearest air operations area.

PERIMETER C: 5-mile range to protect approach, departure and circling airspace.

SECTION 2.

LAND-USE PRACTICES ON OR NEAR AIRPORTS THAT POTENTIALLY ATTRACT HAZARDOUS WILDLIFE.

2-1. GENERAL. The wildlife species and the size of the populations attracted to the airport environment vary considerably, depending on several factors, including land-use practices on or near the airport. This section discusses land-use practices having the potential to attract hazardous wildlife and threaten aviation safety. In addition to the specific considerations outlined below, airport operators should refer to *Wildlife Hazard Management at Airports*, prepared by FAA and U.S. Department of Agriculture (USDA) staff. (This manual is available in English, Spanish, and French. It can be viewed and downloaded free of charge from the FAA's wildlife hazard mitigation web site: <http://wildlife-mitigation.tc.FAA.gov>.) And, *Prevention and Control of Wildlife Damage*, compiled by the University of Nebraska Cooperative Extension Division. (This manual is available online in a periodically updated version at: ianrwww.unl.edu/wildlife/solutions/handbook/.)

2-2. WASTE DISPOSAL OPERATIONS. Municipal solid waste landfills (MSWLF) are known to attract large numbers of hazardous wildlife, particularly birds. Because of this, these operations, when located within the separations identified in the siting criteria in Sections 1-2 through 1-4, are considered incompatible with safe airport operations.

a. Siting for new municipal solid waste landfills subject to AIR 21. Section 503 of the Wendell H. Ford Aviation Investment and Reform Act for the 21st Century (Public Law 106-181) (AIR 21) prohibits the construction or establishment of a new MSWLF within 6 statute miles of certain public-use airports. Before these prohibitions apply, both the airport and the landfill must meet the very specific conditions described below. These restrictions do not apply to airports or landfills located within the state of Alaska.

The airport must (1) have received a Federal grant(s) under 49 U.S.C. § 47101, et. seq.; (2) be under control of a public agency; (3) serve some scheduled air carrier operations conducted in aircraft with less than 60 seats; and (4) have total annual enplanements consisting of at least 51 percent of scheduled air carrier enplanements conducted in aircraft with less than 60 passenger seats.

The proposed MSWLF must (1) be within 6 miles of the airport, as measured from airport property line to MSWLF property line, and (2) have started construction or establishment on or after April 5, 2001. Public Law 106-181 only limits the construction or establishment of some new MSWLF. It does not limit the expansion, either vertical or horizontal, of existing landfills.

NOTE: Consult the most recent version of AC 150/5200-34, *Construction or Establishment of Landfills Near Public Airports*, for a more detailed discussion of these restrictions.

- b. Siting for new MSWLF not subject to AIR 21.** If an airport and MSWLF do not meet the restrictions of Public Law 106-181, the FAA recommends against locating MSWLF within the separation distances identified in Sections 1-2 through 1-4. The separation distances should be measured from the closest point of the airport's AOA to the closest planned MSWLF cell.
- c. Considerations for existing waste disposal facilities within the limits of separation criteria.** The FAA recommends against airport development projects that would increase the number of aircraft operations or accommodate larger or faster aircraft near MSWLF operations located within the separations identified in Sections 1-2 through 1-4. In addition, in accordance with 40 CFR 258.10, owners or operators of existing MSWLF units that are located within the separations listed in Sections 1-2 through 1-4 must demonstrate that the unit is designed and operated so it does not pose a bird hazard to aircraft. (See Section 4-2(b) of this AC for a discussion of this demonstration requirement.)
- d. Enclosed trash transfer stations.** Enclosed waste-handling facilities that receive garbage behind closed doors; process it via compaction, incineration, or similar manner; and remove all residue by enclosed vehicles generally are compatible with safe airport operations, provided they are not located on airport property or within the Runway Protection Zone (RPZ). These facilities should not handle or store putrescible waste outside or in a partially enclosed structure accessible to hazardous wildlife. Trash transfer facilities that are open on one or more sides; that store uncovered quantities of municipal solid waste outside, even if only for a short time; that use semi-trailers that leak or have trash clinging to the outside; or that do not control odors by ventilation and filtration systems (odor masking is not acceptable) do not meet the FAA's definition of fully enclosed trash transfer stations. The FAA considers these facilities incompatible with safe airport operations if they are located closer than the separation distances specified in Sections 1-2 through 1-4.
- e. Composting operations on or near airport property.** Composting operations that accept only yard waste (e.g., leaves, lawn clippings, or branches) generally do not attract hazardous wildlife. Sewage sludge, woodchips, and similar material are not municipal solid wastes and may be used as compost bulking agents. The compost, however, must never include food or other municipal solid waste. Composting operations should not be located on airport property. Off-airport property composting operations should be located no closer than the greater of the following distances: 1,200 feet from any AOA or the distance called for by airport design requirements (see AC 150/5300-13, *Airport Design*). This spacing should prevent material, personnel, or equipment from penetrating any Object Free Area (OFA), Obstacle Free Zone (OFZ), Threshold Siting Surface (TSS), or Clearway. Airport operators should monitor composting operations located in proximity to the airport to ensure that steam or thermal rise does not adversely affect air traffic. On-airport disposal of compost by-products should not be conducted for the reasons stated in 2-3f.

- f. **Underwater waste discharges.** The FAA recommends against the underwater discharge of any food waste (e.g., fish processing offal) within the separations identified in Sections 1-2 through 1-4 because it could attract scavenging hazardous wildlife.
- g. **Recycling centers.** Recycling centers that accept previously sorted non-food items, such as glass, newspaper, cardboard, or aluminum, are, in most cases, not attractive to hazardous wildlife and are acceptable.
- h. **Construction and demolition (C&D) debris facilities.** C&D landfills do not generally attract hazardous wildlife and are acceptable if maintained in an orderly manner, admit no putrescible waste, and are not co-located with other waste disposal operations. However, C&D landfills have similar visual and operational characteristics to putrescible waste disposal sites. When co-located with putrescible waste disposal operations, C&D landfills are more likely to attract hazardous wildlife because of the similarities between these disposal facilities. Therefore, a C&D landfill co-located with another waste disposal operation should be located outside of the separations identified in Sections 1-2 through 1-4.
- i. **Fly ash disposal.** The incinerated residue from resource recovery power/heat-generating facilities that are fired by municipal solid waste, coal, or wood is generally not a wildlife attractant because it no longer contains putrescible matter. Landfills accepting only fly ash are generally not considered to be wildlife attractants and are acceptable as long as they are maintained in an orderly manner, admit no putrescible waste of any kind, and are not co-located with other disposal operations that attract hazardous wildlife.

Since varying degrees of waste consumption are associated with general incineration (not resource recovery power/heat-generating facilities), the FAA considers the ash from general incinerators a regular waste disposal by-product and, therefore, a hazardous wildlife attractant if disposed of within the separation criteria outlined in Sections 1-2 through 1-4.

2-3. WATER MANAGEMENT FACILITIES. Drinking water intake and treatment facilities, storm water and wastewater treatment facilities, associated retention and settling ponds, ponds built for recreational use, and ponds that result from mining activities often attract large numbers of potentially hazardous wildlife. To prevent wildlife hazards, land-use developers and airport operators may need to develop management plans, in compliance with local and state regulations, to support the operation of storm water management facilities on or near all public-use airports to ensure a safe airport environment.

- a. **Existing storm water management facilities.** On-airport storm water management facilities allow the quick removal of surface water, including discharges related to aircraft deicing, from impervious surfaces, such as pavement and terminal/hangar building roofs. Existing on-airport detention ponds collect storm water, protect water quality, and control runoff. Because they slowly release water

after storms, they create standing bodies of water that can attract hazardous wildlife. Where the airport has developed a Wildlife Hazard Management Plan (WHMP) in accordance with Part 139, the FAA requires immediate correction of any wildlife hazards arising from existing storm water facilities located on or near airports, using appropriate wildlife hazard mitigation techniques. Airport operators should develop measures to minimize hazardous wildlife attraction in consultation with a wildlife damage management biologist.

Where possible, airport operators should modify storm water detention ponds to allow a maximum 48-hour detention period for the design storm. The FAA recommends that airport operators avoid or remove retention ponds and detention ponds featuring dead storage to eliminate standing water. Detention basins should remain totally dry between rainfalls. Where constant flow of water is anticipated through the basin, or where any portion of the basin bottom may remain wet, the detention facility should include a concrete or paved pad and/or ditch/swale in the bottom to prevent vegetation that may provide nesting habitat.

When it is not possible to drain a large detention pond completely, airport operators may use physical barriers, such as bird balls, wires grids, pillows, or netting, to deter birds and other hazardous wildlife. When physical barriers are used, airport operators must evaluate their use and ensure they will not adversely affect water rescue. Before installing any physical barriers over detention ponds on Part 139 airports, airport operators must get approval from the appropriate FAA Regional Airports Division Office.

The FAA recommends that airport operators encourage off-airport storm water treatment facility operators to incorporate appropriate wildlife hazard mitigation techniques into storm water treatment facility operating practices when their facility is located within the separation criteria specified in Sections 1-2 through 1-4.

- b. New storm water management facilities.** The FAA strongly recommends that off-airport storm water management systems located within the separations identified in Sections 1-2 through 1-4 be designed and operated so as not to create above-ground standing water. Stormwater detention ponds should be designed, engineered, constructed, and maintained for a maximum 48-hour detention period after the design storm and remain completely dry between storms. To facilitate the control of hazardous wildlife, the FAA recommends the use of steep-sided, rip-rap lined, narrow, linearly shaped water detention basins. When it is not possible to place these ponds away from an airport's AOA, airport operators should use physical barriers, such as bird balls, wires grids, pillows, or netting, to prevent access of hazardous wildlife to open water and minimize aircraft-wildlife interactions. When physical barriers are used, airport operators must evaluate their use and ensure they will not adversely affect water rescue. Before installing any physical barriers over detention ponds on Part 139 airports, airport operators must get approval from the appropriate FAA Regional Airports Division Office. All vegetation in or around detention basins that provide food or cover for hazardous wildlife should be eliminated. If soil conditions and other requirements allow, the FAA encourages

the use of underground storm water infiltration systems, such as French drains or buried rock fields, because they are less attractive to wildlife.

- c. Existing wastewater treatment facilities.** The FAA strongly recommends that airport operators immediately correct any wildlife hazards arising from existing wastewater treatment facilities located on or near the airport. Where required, a WHMP developed in accordance with Part 139 will outline appropriate wildlife hazard mitigation techniques. Accordingly, airport operators should encourage wastewater treatment facility operators to incorporate measures, developed in consultation with a wildlife damage management biologist, to minimize hazardous wildlife attractants. Airport operators should also encourage those wastewater treatment facility operators to incorporate these mitigation techniques into their standard operating practices. In addition, airport operators should consider the existence of wastewater treatment facilities when evaluating proposed sites for new airport development projects and avoid such sites when practicable.
- d. New wastewater treatment facilities.** The FAA strongly recommends against the construction of new wastewater treatment facilities or associated settling ponds within the separations identified in Sections 1-2 through 1-4. Appendix 1 defines wastewater treatment facility as “any devices and/or systems used to store, treat, recycle, or reclaim municipal sewage or liquid industrial wastes.” The definition includes any pretreatment involving the reduction of the amount of pollutants or the elimination of pollutants prior to introducing such pollutants into a publicly owned treatment works (wastewater treatment facility). During the site-location analysis for wastewater treatment facilities, developers should consider the potential to attract hazardous wildlife if an airport is in the vicinity of the proposed site, and airport operators should voice their opposition to such facilities if they are in proximity to the airport.
- e. Artificial marshes.** In warmer climates, wastewater treatment facilities sometimes employ artificial marshes and use submergent and emergent aquatic vegetation as natural filters. These artificial marshes may be used by some species of flocking birds, such as blackbirds and waterfowl, for breeding or roosting activities. The FAA strongly recommends against establishing artificial marshes within the separations identified in Sections 1-2 through 1-4.
- f. Wastewater discharge and sludge disposal.** The FAA recommends against the discharge of wastewater or sludge on airport property because it may improve soil moisture and quality on unpaved areas and lead to improved turf growth that can be an attractive food source for many species of animals. Also, the turf requires more frequent mowing, which in turn may mutilate or flush insects or small animals and produce straw, both of which can attract hazardous wildlife. In addition, the improved turf may attract grazing wildlife, such as deer and geese. Problems may also occur when discharges saturate unpaved airport areas. The resultant soft, muddy conditions can severely restrict or prevent emergency vehicles from reaching accident sites in a timely manner.

2-4. WETLANDS. Wetlands provide a variety of functions and can be regulated by local, state, and Federal laws. Normally, wetlands are attractive to many types of wildlife, including many which rank high on the list of hazardous wildlife species (Table 1).

NOTE: If questions exist as to whether an area qualifies as a wetland, contact the local division of the U.S. Army Corps of Engineers, the Natural Resources Conservation Service, or a wetland consultant qualified to delineate wetlands.

- a. Existing wetlands on or near airport property.** If wetlands are located on or near airport property, airport operators should be alert to any wildlife use or habitat changes in these areas that could affect safe aircraft operations. At public-use airports, the FAA recommends immediately correcting, in cooperation with local, state, and Federal regulatory agencies, any wildlife hazards arising from existing wetlands located on or near airports. Where required, a WHMP will outline appropriate wildlife hazard mitigation techniques. Accordingly, airport operators should develop measures to minimize hazardous wildlife attraction in consultation with a wildlife damage management biologist.
- b. New airport development.** Whenever possible, the FAA recommends locating new airports using the separations from wetlands identified in Sections 1-2 through 1-4. Where alternative sites are not practicable, or when airport operators are expanding an existing airport into or near wetlands, a wildlife damage management biologist, in consultation with the U.S. Fish and Wildlife Service, the U.S. Army Corps of Engineers, and the state wildlife management agency should evaluate the wildlife hazards and prepare a WHMP that indicates methods of minimizing the hazards.
- c. Mitigation for wetland impacts from airport projects.** Wetland mitigation may be necessary when unavoidable wetland disturbances result from new airport development projects or projects required to correct wildlife hazards from wetlands. Wetland mitigation must be designed so it does not create a wildlife hazard. The FAA recommends that wetland mitigation projects that may attract hazardous wildlife be sited outside of the separations identified in Sections 1-2 through 1-4.

(1) Onsite mitigation of wetland functions. The FAA may consider exceptions to locating mitigation activities outside the separations identified in Sections 1-2 through 1-4 if the affected wetlands provide unique ecological functions, such as critical habitat for threatened or endangered species or ground water recharge, which cannot be replicated when moved to a different location. Using existing airport property is sometimes the only feasible way to achieve the mitigation ratios mandated in regulatory orders and/or settlement agreements with the resource agencies. Conservation easements are an additional means of providing mitigation for project impacts. Typically the airport operator continues to own the property, and an easement is created stipulating that the property will be maintained as habitat for state or Federally listed species.

Mitigation must not inhibit the airport operator's ability to effectively control hazardous wildlife on or near the mitigation site or effectively maintain other aspects of safe airport operations. Enhancing such mitigation areas to attract hazardous wildlife must be avoided. The FAA will review any onsite mitigation proposals to determine compatibility with safe airport operations. A wildlife damage management biologist should evaluate any wetland mitigation projects that are needed to protect unique wetland functions and that must be located in the separation criteria in Sections 1-2 through 1-4 before the mitigation is implemented. A WHMP should be developed to reduce the wildlife hazards.

(2) Offsite mitigation of wetland functions. The FAA recommends that wetland mitigation projects that may attract hazardous wildlife be sited outside of the separations identified in Sections 1-2 through 1-4 unless they provide unique functions that must remain onsite (see 2-4c(1)). Agencies that regulate impacts to or around wetlands recognize that it may be necessary to split wetland functions in mitigation schemes. Therefore, regulatory agencies may, under certain circumstances, allow portions of mitigation to take place in different locations.

(3) Mitigation banking. Wetland mitigation banking is the creation or restoration of wetlands in order to provide mitigation credits that can be used to offset permitted wetland losses. Mitigation banking benefits wetland resources by providing advance replacement for permitted wetland losses; consolidating small projects into larger, better-designed and managed units; and encouraging integration of wetland mitigation projects with watershed planning. This last benefit is most helpful for airport projects, as wetland impacts mitigated outside of the separations identified in Sections 1-2 through 1-4 can still be located within the same watershed. Wetland mitigation banks meeting the separation criteria offer an ecologically sound approach to mitigation in these situations. Airport operators should work with local watershed management agencies or organizations to develop mitigation banking for wetland impacts on airport property.

2-5. DREDGE SPOIL CONTAINMENT AREAS. The FAA recommends against locating dredge spoil containment areas (also known as Confined Disposal Facilities) within the separations identified in Sections 1-2 through 1-4 if the containment area or the spoils contain material that would attract hazardous wildlife.

2-6. AGRICULTURAL ACTIVITIES. Because most, if not all, agricultural crops can attract hazardous wildlife during some phase of production, the FAA recommends against the used of airport property for agricultural production, including hay crops, within the separations identified in Sections 1-2 through 1-4. . If the airport has no financial alternative to agricultural crops to produce income necessary to maintain the viability of the airport, then the airport shall follow the crop distance guidelines listed in the table titled "Minimum Distances between Certain Airport Features and Any On-Airport Agricultural Crops" found in AC 150/5300-13, *Airport Design*, Appendix 17. The cost of wildlife control and potential accidents should be weighed against the income produced by the on-airport crops when deciding whether to allow crops on the airport.

- a. Livestock production.** Confined livestock operations (i.e., feedlots, dairy operations, hog or chicken production facilities, or egg laying operations) often attract flocking birds, such as starlings, that pose a hazard to aviation. Therefore, The FAA recommends against such facilities within the separations identified in Sections 1-2 through 1-4. Any livestock operation within these separations should have a program developed to reduce the attractiveness of the site to species that are hazardous to aviation safety. Free-ranging livestock must not be grazed on airport property because the animals may wander onto the AOA. Furthermore, livestock feed, water, and manure may attract birds.
- b. Aquaculture.** Aquaculture activities (i.e. catfish or trout production) conducted outside of fully enclosed buildings are inherently attractive to a wide variety of birds. Existing aquaculture facilities/activities within the separations listed in Sections 1-2 through 1-4 must have a program developed to reduce the attractiveness of the sites to species that are hazardous to aviation safety. Airport operators should also oppose the establishment of new aquaculture facilities/activities within the separations listed in Sections 1-2 through 1-4.
- c. Alternative uses of agricultural land.** Some airports are surrounded by vast areas of farmed land within the distances specified in Sections 1-2 through 1-4. Seasonal uses of agricultural land for activities such as hunting can create a hazardous wildlife situation. In some areas, farmers will rent their land for hunting purposes. Rice farmers, for example, flood their land during waterfowl hunting season and obtain additional revenue by renting out duck blinds. The duck hunters then use decoys and call in hundreds, if not thousands, of birds, creating a tremendous threat to aircraft safety. A wildlife damage management biologist should review, in coordination with local farmers and producers, these types of seasonal land uses and incorporate them into the WHMP.

2-7. GOLF COURSES, LANDSCAPING AND OTHER LAND-USE CONSIDERATIONS.

- a. Golf courses.** The large grassy areas and open water found on most golf courses are attractive to hazardous wildlife, particularly Canada geese and some species of gulls. These species can pose a threat to aviation safety. The FAA recommends against construction of new golf courses within the separations identified in Sections 1-2 through 1-4. Existing golf courses located within these separations must develop a program to reduce the attractiveness of the sites to species that are hazardous to aviation safety. Airport operators should ensure these golf courses are monitored on a continuing basis for the presence of hazardous wildlife. If hazardous wildlife is detected, corrective actions should be immediately implemented.
- b. Landscaping and landscape maintenance.** Depending on its geographic location, landscaping can attract hazardous wildlife. The FAA recommends that airport operators approach landscaping with caution and confine it to airport areas not associated with aircraft movements. A wildlife damage management biologist should review all landscaping plans. Airport operators should also monitor all landscaped areas on a continuing basis for the presence of hazardous wildlife. If

hazardous wildlife is detected, corrective actions should be immediately implemented.

Turf grass areas can be highly attractive to a variety of hazardous wildlife species. Research conducted by the USDA Wildlife Services' National Wildlife Research Center has shown that no one grass management regime will deter all species of hazardous wildlife in all situations. In cooperation with wildlife damage management biologist, airport operators should develop airport turf grass management plans on a prescription basis, depending on the airport's geographic locations and the type of hazardous wildlife likely to frequent the airport

Airport operators should ensure that plant varieties attractive to hazardous wildlife are not used on the airport. Disturbed areas or areas in need of re-vegetating should not be planted with seed mixtures containing millet or any other large-seed producing grass. For airport property already planted with seed mixtures containing millet, rye grass, or other large-seed producing grasses, the FAA recommends disking, plowing, or another suitable agricultural practice to prevent plant maturation and seed head production. Plantings should follow the specific recommendations for grass management and seed and plant selection made by the State University Cooperative Extension Service, the local office of Wildlife Services, or a qualified wildlife damage management biologist. Airport operators should also consider developing and implementing a preferred/prohibited plant species list, reviewed by a wildlife damage management biologist, which has been designed for the geographic location to reduce the attractiveness to hazardous wildlife for landscaping airport property.

- c. **Airports surrounded by wildlife habitat.** The FAA recommends that operators of airports surrounded by woodlands, water, or wetlands refer to Section 2.4 of this AC. Operators of such airports should provide for a Wildlife Hazard Assessment (WHA) conducted by a wildlife damage management biologist. This WHA is the first step in preparing a WHMP, where required.
- d. **Other hazardous wildlife attractants.** Other specific land uses or activities (e.g., sport or commercial fishing, shellfish harvesting, etc.), perhaps unique to certain regions of the country, have the potential to attract hazardous wildlife. Regardless of the source of the attraction, when hazardous wildlife is noted on a public-use airport, airport operators must take prompt remedial action(s) to protect aviation safety.

2-8. SYNERGISTIC EFFECTS OF SURROUNDING LAND USES. There may be circumstances where two (or more) different land uses that would not, by themselves, be considered hazardous wildlife attractants or that are located outside of the separations identified in Sections 1-2 through 1-4 that are in such an alignment with the airport as to create a wildlife corridor directly through the airport and/or surrounding airspace. An example of this situation may involve a lake located outside of the separation criteria on the east side of an airport and a large hayfield on the west side of an airport, land uses that together could create a flyway for Canada geese directly across the airspace of the airport. There are numerous examples of such situations;

therefore, airport operators and the wildlife damage management biologist must consider the entire surrounding landscape and community when developing the WHMP.

SECTION 3.

PROCEDURES FOR WILDLIFE HAZARD MANAGEMENT BY OPERATORS OF PUBLIC-USE AIRPORTS.

3.1. INTRODUCTION. In recognition of the increased risk of serious aircraft damage or the loss of human life that can result from a wildlife strike, the FAA may require the development of a Wildlife Hazard Management Plan (WHMP) when specific triggering events occur on or near the airport. Part 139.337 discusses the specific events that trigger a Wildlife Hazard Assessment (WHA) and the specific issues that a WHMP must address for FAA approval and inclusion in an Airport Certification Manual.

3.2. COORDINATION WITH USDA WILDLIFE SERVICES OR OTHER QUALIFIED WILDLIFE DAMAGE MANAGEMENT BIOLOGISTS. The FAA will use the Wildlife Hazard Assessment (WHA) conducted in accordance with Part 139 to determine if the airport needs a WHMP. Therefore, persons having the education, training, and expertise necessary to assess wildlife hazards must conduct the WHA. The airport operator may look to Wildlife Services or to qualified private consultants to conduct the WHA. When the services of a wildlife damage management biologist are required, the FAA recommends that land-use developers or airport operators contact a consultant specializing in wildlife damage management or the appropriate state director of Wildlife Services.

NOTE: Telephone numbers for the respective USDA Wildlife Services state offices can be obtained by contacting USDA Wildlife Services Operational Support Staff, 4700 River Road, Unit 87, Riverdale, MD, 20737-1234, Telephone (301) 734-7921, Fax (301) 734-5157 (<http://www.aphis.usda.gov/ws/>).

3-3. WILDLIFE HAZARD MANAGEMENT AT AIRPORTS: A MANUAL FOR AIRPORT PERSONNEL. This manual, prepared by FAA and USDA Wildlife Services staff, contains a compilation of information to assist airport personnel in the development, implementation, and evaluation of WHMPs at airports. The manual includes specific information on the nature of wildlife strikes, legal authority, regulations, wildlife management techniques, WHAs, WHMPs, and sources of help and information. The manual is available in three languages: English, Spanish, and French. It can be viewed and downloaded free of charge from the FAA's wildlife hazard mitigation web site: <http://wildlife-mitigation.tc.FAA.gov/>. This manual only provides a starting point for addressing wildlife hazard issues at airports. Hazardous wildlife management is a complex discipline and conditions vary widely across the United States. Therefore, qualified wildlife damage management biologists must direct the development of a WHMP and the implementation of management actions by airport personnel.

There are many other resources complementary to this manual for use in developing and implementing WHMPs. Several are listed in the manual's bibliography.

3-4. WILDLIFE HAZARD ASSESSMENTS, TITLE 14, CODE OF FEDERAL REGULATIONS, PART 139. Part 139.337(b) requires airport operators to conduct a Wildlife Hazard Assessment (WHA) when certain events occur on or near the airport.

Part 139.337 (c) provides specific guidance as to what facts must be addressed in a WHA.

3-5. WILDLIFE HAZARD MANAGEMENT PLAN (WHMP). The FAA will consider the results of the WHA, along with the aeronautical activity at the airport and the views of the airport operator and airport users, in determining whether a formal WHMP is needed, in accordance with Part 139.337. If the FAA determines that a WHMP is needed, the airport operator must formulate and implement a WHMP, using the WHA as the basis for the plan.

The goal of an airport's Wildlife Hazard Management Plan is to minimize the risk to aviation safety, airport structures or equipment, or human health posed by populations of hazardous wildlife on and around the airport.

The WHMP must identify hazardous wildlife attractants on or near the airport and the appropriate wildlife damage management techniques to minimize the wildlife hazard. It must also prioritize the management measures.

3-6. LOCAL COORDINATION. The establishment of a Wildlife Hazards Working Group (WHWG) will facilitate the communication, cooperation, and coordination of the airport and its surrounding community necessary to ensure the effectiveness of the WHMP. The cooperation of the airport community is also necessary when new projects are considered. Whether on or off the airport, the input from all involved parties must be considered when a potentially hazardous wildlife attractant is being proposed. Airport operators should also incorporate public education activities with the local coordination efforts because some activities in the vicinity of your airport, while harmless under normal leisure conditions, can attract wildlife and present a danger to aircraft. For example, if public trails are planned near wetlands or in parks adjoining airport property, the public should know that feeding birds and other wildlife in the area may pose a risk to aircraft.

Airport operators should work with local and regional planning and zoning boards so as to be aware of proposed land-use changes, or modification of existing land uses, that could create hazardous wildlife attractants within the separations identified in Sections 1-2 through 1-4. Pay particular attention to proposed land uses involving creation or expansion of waste water treatment facilities, development of wetland mitigation sites, or development or expansion of dredge spoil containment areas. At the very least, airport operators must ensure they are on the notification list of the local planning board or equivalent review entity for all communities located within 5 miles of the airport, so they will receive notification of any proposed project and have the opportunity to review it for attractiveness to hazardous wildlife.

3-7 COORDINATION/NOTIFICATION OF AIRMEN OF WILDLIFE HAZARDS. If an existing land-use practice creates a wildlife hazard and the land-use practice or wildlife hazard cannot be immediately eliminated, airport operators must issue a Notice to Airmen (NOTAM) and encourage the land-owner or manager to take steps to control the wildlife hazard and minimize further attraction.

SECTION 4.

FAA NOTIFICATION AND REVIEW OF PROPOSED LAND-USE PRACTICE CHANGES IN THE VICINITY OF PUBLIC-USE AIRPORTS

4-1. FAA REVIEW OF PROPOSED LAND-USE PRACTICE CHANGES IN THE VICINITY OF PUBLIC-USE AIRPORTS.

- a. The FAA discourages the development of waste disposal and other facilities, discussed in Section 2, located within the 5,000/10,000-foot criteria specified in Sections 1-2 through 1-4.
- b. For projects that are located outside the 5,000/10,000-foot criteria but within 5 statute miles of the airport's AOA, the FAA may review development plans, proposed land-use changes, operational changes, or wetland mitigation plans to determine if such changes present potential wildlife hazards to aircraft operations. The FAA considers sensitive airport areas as those that lie under or next to approach or departure airspace. This brief examination should indicate if further investigation is warranted.
- c. Where a wildlife damage management biologist has conducted a further study to evaluate a site's compatibility with airport operations, the FAA may use the study results to make a determination.

4-2. WASTE MANAGEMENT FACILITIES.

- a. **Notification of new/expanded project proposal.** Section 503 of the Wendell H. Ford Aviation Investment and Reform Act for the 21st Century (Public Law 106-181) limits the construction or establishment of new MSWLF within 6 statute miles of certain public-use airports, when both the airport and the landfill meet very specific conditions. See Section 2-2 of this AC and AC 150/5200-34 for a more detailed discussion of these restrictions.

The Environmental Protection Agency (EPA) requires any MSWLF operator proposing a new or expanded waste disposal operation within 5 statute miles of a runway end to notify the appropriate FAA Regional Airports Division Office and the airport operator of the proposal (40 CFR 258, *Criteria for Municipal Solid Waste Landfills*, Section 258.10, *Airport Safety*). The EPA also requires owners or operators of new MSWLF units, or lateral expansions of existing MSWLF units, that are located within 10,000 feet of any airport runway end used by turbojet aircraft, or within 5,000 feet of any airport runway end used only by piston-type aircraft, to demonstrate successfully that such units are not hazards to aircraft. (See 4-2.b below.)

When new or expanded MSWLF are being proposed near airports, MSWLF operators must notify the airport operator and the FAA of the proposal as early as possible pursuant to 40 CFR 258.

- b. Waste handling facilities within separations identified in Sections 1-2 through 1-4.** To claim successfully that a waste-handling facility sited within the separations identified in Sections 1-2 through 1-4 does not attract hazardous wildlife and does not threaten aviation, the developer must establish convincingly that the facility will not handle putrescible material other than that as outlined in 2-2.d. The FAA strongly recommends against any facility other than that as outlined in 2-2.d (enclosed transfer stations). The FAA will use this information to determine if the facility will be a hazard to aviation.
- c. Putrescible-Waste Facilities.** In their effort to satisfy the EPA requirement, some putrescible-waste facility proponents may offer to undertake experimental measures to demonstrate that their proposed facility will not be a hazard to aircraft. To date, no such facility has been able to demonstrate an ability to reduce and sustain hazardous wildlife to levels that existed before the putrescible-waste landfill began operating. For this reason, demonstrations of experimental wildlife control measures may not be conducted within the separation identified in Sections 1-2 through 1-4.

4-3. OTHER LAND-USE PRACTICE CHANGES. As a matter of policy, the FAA encourages operators of public-use airports who become aware of proposed land use practice changes that may attract hazardous wildlife within 5 statute miles of their airports to promptly notify the FAA. The FAA also encourages proponents of such land use changes to notify the FAA as early in the planning process as possible. Advanced notice affords the FAA an opportunity (1) to evaluate the effect of a particular land-use change on aviation safety and (2) to support efforts by the airport sponsor to restrict the use of land next to or near the airport to uses that are compatible with the airport.

The airport operator, project proponent, or land-use operator may use FAA Form 7460-1, *Notice of Proposed Construction or Alteration*, or other suitable documents similar to FAA Form 7460-1 to notify the appropriate FAA Regional Airports Division Office. Project proponents can contact the appropriate FAA Regional Airports Division Office for assistance with the notification process.

It is helpful if the notification includes a 15-minute quadrangle map of the area identifying the location of the proposed activity. The land-use operator or project proponent should also forward specific details of the proposed land-use change or operational change or expansion. In the case of solid waste landfills, the information should include the type of waste to be handled, how the waste will be processed, and final disposal methods.

- a. Airports that have received Federal grant-in-aid assistance.** Airports that have received Federal grant-in-aid assistance are required by their grant assurances to take appropriate actions to restrict the use of land next to or near the airport to uses that are compatible with normal airport operations. The FAA recommends that airport operators to the extent practicable oppose off-airport land-use changes or practices within the separations identified in Sections 1-2 through 1-4 that may attract hazardous wildlife. Failure to do so may lead to noncompliance with applicable grant assurances. The FAA will not approve the placement of airport

development projects pertaining to aircraft movement in the vicinity of hazardous wildlife attractants without appropriate mitigating measures. Increasing the intensity of wildlife control efforts is not a substitute for eliminating or reducing a proposed wildlife hazard. Airport operators should identify hazardous wildlife attractants and any associated wildlife hazards during any planning process for new airport development projects.

This page intentionally left blank.

APPENDIX 1. DEFINITIONS OF TERMS USED IN THIS ADVISORY CIRCULAR.

1. **GENERAL.** This appendix provides definitions of terms used throughout this AC.

1. **Air operations area.** Any area of an airport used or intended to be used for landing, takeoff, or surface maneuvering of aircraft. An air operations area includes such paved areas or unpaved areas that are used or intended to be used for the unobstructed movement of aircraft in addition to its associated runway, taxiways, or apron.
2. **Airport operator.** The operator (private or public) or sponsor of a public-use airport.
3. **Approach or departure airspace.** The airspace, within 5 statute miles of an airport, through which aircraft move during landing or takeoff.
4. **Bird balls.** High-density plastic floating balls that can be used to cover ponds and prevent birds from using the sites.
5. **Certificate holder.** The holder of an Airport Operating Certificate issued under Title 14, Code of Federal Regulations, Part 139.
6. **Construct a new MSWLF.** To begin to excavate, grade land, or raise structures to prepare a municipal solid waste landfill as permitted by the appropriate regulatory or permitting agency.
7. **Detention ponds.** Storm water management ponds that hold storm water for short periods of time, a few hours to a few days.
8. **Establish a new MSWLF.** When the first load of putrescible waste is received on-site for placement in a prepared municipal solid waste landfill.
9. **Fly ash.** The fine, sand-like residue resulting from the complete incineration of an organic fuel source. Fly ash typically results from the combustion of coal or waste used to operate a power generating plant.
10. **General aviation aircraft.** Any civil aviation aircraft not operating under 14 CFR Part 119, Certification: Air Carriers and Commercial Operators.
11. **Hazardous wildlife.** Species of wildlife (birds, mammals, reptiles), including feral animals and domesticated animals not under control, that are associated with aircraft strike problems, are capable of causing structural damage to airport facilities, or act as attractants to other wildlife that pose a strike hazard
12. **Municipal Solid Waste Landfill (MSWLF).** A publicly or privately owned discrete area of land or an excavation that receives household waste and that is not a land application unit, surface impoundment, injection well, or waste pile, as those terms are defined under 40 CFR § 257.2. An MSWLF may receive

other types wastes, such as commercial solid waste, non-hazardous sludge, small-quantity generator waste, and industrial solid waste, as defined under 40 CFR § 258.2. An MSWLF can consist of either a stand alone unit or several cells that receive household waste.

13. **New MSWLF.** A municipal solid waste landfill that was established or constructed after April 5, 2001.
14. **Piston-powered aircraft.** Fixed-wing aircraft powered by piston engines.
15. **Piston-use airport.** Any airport that does not sell Jet-A fuel for fixed-wing turbine-powered aircraft, and primarily serves fixed-wing, piston-powered aircraft. Incidental use of the airport by turbine-powered, fixed-wing aircraft would not affect this designation. However, such aircraft should not be based at the airport.
16. **Public agency.** A State or political subdivision of a State, a tax-supported organization, or an Indian tribe or pueblo (49 U.S.C. § 47102(19)).
17. **Public airport.** An airport used or intended to be used for public purposes that is under the control of a public agency; and of which the area used or intended to be used for landing, taking off, or surface maneuvering of aircraft is publicly owned (49 U.S.C. § 47102(20)).
18. **Public-use airport.** An airport used or intended to be used for public purposes, and of which the area used or intended to be used for landing, taking off, or surface maneuvering of aircraft may be under the control of a public agency or privately owned and used for public purposes (49 U.S.C. § 47102(21)).
19. **Putrescible waste.** Solid waste that contains organic matter capable of being decomposed by micro-organisms and of such a character and proportion as to be capable of attracting or providing food for birds (40 CFR §257.3-8).
20. **Putrescible-waste disposal operation.** Landfills, garbage dumps, underwater waste discharges, or similar facilities where activities include processing, burying, storing, or otherwise disposing of putrescible material, trash, and refuse.
21. **Retention ponds.** Storm water management ponds that hold water for several months.
22. **Runway protection zone (RPZ).** An area off the runway end to enhance the protection of people and property on the ground (see AC 150/5300-13). The dimensions of this zone vary with the airport design, aircraft, type of operation, and visibility minimum.
23. **Scheduled air carrier operation.** Any common carriage passenger-carrying operation for compensation or hire conducted by an air carrier or commercial

operator for which the air carrier, commercial operator, or their representative offers in advance the departure location, departure time, and arrival location. It does not include any operation that is conducted as a supplemental operation under 14 CFR Part 119 or as a public charter operation under 14 CFR Part 380 (14 CFR § 119.3).

- 24. Sewage sludge.** Any solid, semi-solid, or liquid residue generated during the treatment of domestic sewage in a treatment works. Sewage sludge includes, but is not limited to, domestic septage; scum or solids removed in primary, secondary, or advanced wastewater treatment process; and a material derived from sewage sludge. Sewage does not include ash generated during the firing of sewage sludge in a sewage sludge incinerator or grit and screenings generated during preliminary treatment of domestic sewage in a treatment works. (40 CFR 257.2)
- 25. Sludge.** Any solid, semi-solid, or liquid waste generated from a municipal, commercial or industrial wastewater treatment plant, water supply treatment plant, or air pollution control facility or any other such waste having similar characteristics and effect. (40 CFR 257.2)
- 26. Solid waste.** Any garbage, refuse, sludge, from a waste treatment plant, water supply treatment plant or air pollution control facility and other discarded material, including, solid liquid, semisolid, or contained gaseous material resulting from industrial, commercial, mining, and agricultural operations, and from community activities, but does not include solid or dissolved materials in domestic sewage, or solid or dissolved material in irrigation return flows or industrial discharges which are point sources subject to permits under section 402 of the Federal Water Pollution Control Act, as amended (86 Stat. 880), or source, special nuclear, or by product material as defined by the Atomic Energy Act of 1954, as amended, (68 Stat. 923). (40 CFR 257.2)
- 27. Turbine-powered aircraft.** Aircraft powered by turbine engines including turbojets and turboprops but excluding turbo-shaft rotary-wing aircraft.
- 28. Turbine-use airport.** Any airport that sells Jet-A fuel for fixed-wing turbine-powered aircraft.
- 29. Wastewater treatment facility.** Any devices and/or systems used to store, treat, recycle, or reclaim municipal sewage or liquid industrial wastes, including Publicly Owned Treatment Works (POTW), as defined by Section 212 of the Federal Water Pollution Control Act (P.L. 92-500) as amended by the Clean Water Act of 1977 (P.L. 95-576) and the Water Quality Act of 1987 (P.L. 100-4). This definition includes any pretreatment involving the reduction of the amount of pollutants, the elimination of pollutants, or the alteration of the nature of pollutant properties in wastewater prior to or in lieu of discharging or otherwise introducing such pollutants into a POTW. (See 40 CFR Section 403.3 (q), (r), & (s)).

- 30. Wildlife.** Any wild animal, including without limitation any wild mammal, bird, reptile, fish, amphibian, mollusk, crustacean, arthropod, coelenterate, or other invertebrate, including any part, product, egg, or offspring thereof (50 CFR 10.12, *Taking, Possession, Transportation, Sale, Purchase, Barter, Exportation, and Importation of Wildlife and Plants*). As used in this AC, wildlife includes feral animals and domestic animals out of the control of their owners (14 CFR Part 139, Certification of Airports).
- 31. Wildlife attractants.** Any human-made structure, land-use practice, or human-made or natural geographic feature that can attract or sustain hazardous wildlife within the landing or departure airspace or the airport's AOA. These attractants can include architectural features, landscaping, waste disposal sites, wastewater treatment facilities, agricultural or aquaculture activities, surface mining, or wetlands.
- 32. Wildlife hazard.** A potential for a damaging aircraft collision with wildlife on or near an airport.
- 33. Wildlife strike.** A wildlife strike is deemed to have occurred when:
- a. A pilot reports striking 1 or more birds or other wildlife;
 - b. Aircraft maintenance personnel identify aircraft damage as having been caused by a wildlife strike;
 - c. Personnel on the ground report seeing an aircraft strike 1 or more birds or other wildlife;
 - d. Bird or other wildlife remains, whether in whole or in part, are found within 200 feet of a runway centerline, unless another reason for the animal's death is identified;
 - e. The animal's presence on the airport had a significant negative effect on a flight (i.e., aborted takeoff, aborted landing, high-speed emergency stop, aircraft left pavement area to avoid collision with animal) (Transport Canada, Airports Group, *Wildlife Control Procedures Manual*, Technical Publication 11500E, 1994).

2. RESERVED.